



April 2014

**Stated Meetings 3rd Tuesday 7 pm
848 Clough Pike**

jbcovertlodge.com

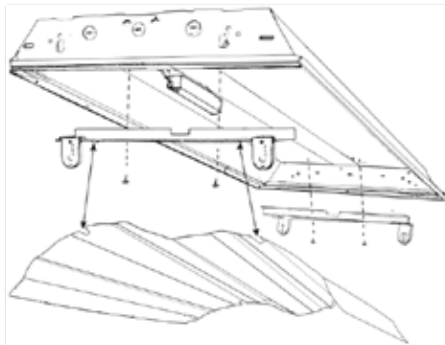
Trustees Seeking Help For Lighting Overhaul Both physical and financial help are sought to complete project

At the March Stated Meeting the Lodge approved a plan brought forward by the Trustees to update the 40+ year old fluorescent lighting throughout the building.

The plan was brought forward, because there have been several lights that have failed over time and there is currently a significant rebate program available until the end of April.

The plan calls for installing retrofit kits into all of the existing T-12 fixtures throughout the building. The T-12 lamps are being phased out and are being replaced with more energy efficient T-8 lamps.

The process is relatively simple and involves removing the old lamps, disconnecting the power and socket brackets and then screwing in the new parts as shown in this illustration.



Crews of 3 people will work together in the dining room on step ladders to replace the 25 units in that room plus those in the corresponding hallways.

We will be using teams of 3 in the Lodge itself with rolling scaffolding to replace the 8' lamps that are currently installed with a Retro-Strip kit that will allow 4' bulbs to be used.

The cost for the materials before the rebate is \$2,946. We will receive a rebate of \$1,158 thereby making the materials cost total \$1,788.

At the March meeting WB Olson committed to make a \$500 donation to the lighting project if another \$500 was donated by the rest of the members. If WB Olson's challenge is met the cost to the Lodge will only be \$788.

In comparison, if we replace each lamp as it fails it would cost the Lodge \$2,995 at today's prices and there would be no rebate option.

So how can you help? Contact Trustee Chairman Dave Olmstead at 513-617-0906 to schedule time to work with him and others. Due to the amount of work to be done multiple sessions will be required. Help us meet WB Olson's challenge by sending a donation to the Lodge Secretary.

Social Committee Postpones Ladies Night Dinner

Due to the Grand Master's Reception being scheduled for May 2nd the committee has decided to postpone the Ladies Night Dinner so members don't have to choose one event over the other.

An updated Social Calendar is found on our website.



2014 Officers

Worshipful Master

Dale A. Olson

513-624-7009

worshipful@jbcovertlodge.com

Senior Warden

Daniel O. Campbell

513-675-1795

srwarden@jbcovertlodge.com

Junior Warden

M. Jack Lennon

513-600-8813

jrwarden@jbcovertlodge.com

Treasurer

R. Paul Wheeler

513-732-3322

Secretary

T. David Miller

513-752-4601

secretary@jbcovertlodge.com

Senior Deacon

Carl W. White

Junior Deacon

Bruce Ehas

Chaplain

Gary Morgan, PM

Tyler

Carey Disney, PM

Senior Steward

David Olmstead

Junior Steward

John Disney, PM

Musician

Alfred R. Determan

Master's Message

Hello Brothers. As we move into the second quarter of our Masonic year, we do so with a history of great past performance and the hope for continued success. We will be hosting the Grand Master's One Day Class on April 5th. This promises to be a long and very busy day but with 7 candidates, 7 mentors and at least 19 other Brothers from J. B. Covert planning to attend it should be a great time for fellowship and brotherhood.



Your generosity continues to be a high point of our lodge Brothers. The Boy Scout Scholarship boot is nearly filled; we made a donation to the Grand Lodge Veterans fund and raised nearly \$400 for the Children's Dyslexia Center's Teddy Bear 5K run in a single evening. As we move forward in the year I would like to see us focus our charitable activities on the district scholarship fund, wounded warrior fundraiser, the Masonic Relief Fund, and Special Olympics. I understand that we can't donate to every organization but I do believe that these are very worthy causes and deserving of our support.

We continue to be active in District activities and I encourage you to come out and support the district at inspections, district officer meetings and fundraisers. The Grand Masters reception is on May 2nd and the District Golf outing will be on May 31st. I would like to have a good turnout for both of these events so please mark your calendars.

While we are on the subject of the 6th District I have some great news to share with you brothers. The Deputy Grand Master of Masons in Ohio, RWB Steve Cokonougher is planning his official visitation schedule for his year as Grand Master (if elected). He has asked each district to submit the name of a Lodge to host that official visitation. The 6th Masonic District has asked J. B. Covert Lodge to host the Grand Masters official visitation for 2015 and Brother Daniel Campbell and I have accepted on behalf of our Lodge. MWB Cokonougher (if elected) will be attending our annual inspection on Thursday, March 19th 2015. Congratulations Brothers. I think that this is a tremendous honor and it reflects great credit upon our Lodge and all of you. This will make the second year in a row that the Grand Master has chosen to attend our annual inspection. Well done guys!

In closing, I would like to congratulate Covert Chapter of OES and Covert Commandery on the successful completion of their annual inspections. OES had 107 folks attend their outstanding inspection and as usual, Covert Commandery watered the eyes of their candidate with the always impressive Order of the Temple. Well done Sisters and Brothers of Covert Chapter OES and Sir Knights of Covert Commandery!

Dale Olson

Worshipful Master

Worshipful@jbcovertlodge.com

513-624-7009

Birthdays For April

Kyle Adkins, Gregory Auxier, Tracy Callahan, Joseph Clark, Edward Cravens, Lincoln Day, Joshua Disney, John Dumford, Elmer Grigsby, David Huffman, James Lewis Jr, Jerry Lowery, James McGee, Michael McMullen, David Miller, Joseph Mills, Douglas Mowell, Frank Proulx, Norman Root, Raymond Sumner, Howard Thompson, Brian Woessner.



Memorial

Peter Katzenstein

Born February 19, 1935

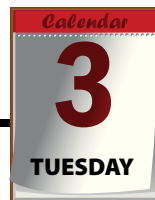
Raised January 28, 1966

Died July 1, 2003

Benefactor to his Lodge




Fill The Boot!



Upcoming Events

- Mar 29 GMIDC Preparation Work Day**
8:30 am- 3 pm Lunch will be served
- Apr 5 Grand Master's One Day Class**
7 am Candidate Registration
See Short Form Schedule at Left for Details
- Apr 15 J. B. Covert Stated Meeting**
6:30 pm Social 7:00 pm work
- May 2 Grand Master's Reception**
6:00 pm- Clermont County Fairgrounds
Contact WB Olson for tickets Cost \$25
- May 6 Ladies Night Dinner *POSTPONED*** due to
Grand Master's Reception on May 2nd
- May 18 6th District Family Picnic**
1 pm - 4 pm Sycamore Park Batavia
- May 20 J. B. Covert Stated Meeting**
6:30 pm Social 7:00 pm work
- May 31 Live Music & Vino @ Harmony Hill**
6:00 pm *Fellowship Event*
- June 14 Flag Retirement & Awards Ceremony**
10:30 am - 12:30 pm Lunch Provided
Open to the public

You can add the Lodge's Calendar to your Outlook or phone by clicking on this button  Google Calendar on the calendar page of the website.

www.jbcovertlodge.com/calendar

Grand Master's One Day Class Schedule Short Form

- 7:00- 7:45 am Registration, coffee & doughnuts
- 7:45 am- All Candidates and Mentors in meeting room
- 8:00 am- Entered Apprentice begins no one allowed to leave or enter once started
- 9:45 am- Break
- 10:00 am- Confer the Fellow Craft Degree
- 11:30 am- Break for lunch- prepared & served by J. B. Covert Members
- 12:30 pm- Master Mason Degree.
- 2:30- 2:45 pm Peculiar Stone Skit and Talk.
- 2:45- 3:00 pm - Sign-up for Mark Master Degree in York Rite.
- 3:00 pm- Open Royal Arch Chapter on Mark Master Degree.

J. B. Covert Lodge # 437 F. & A. M.
T. David Miller, Secretary
4842 Pathfinder Way
Milford, OH 45150

NONPROFIT ORGANIZATION
US POSTAGE
PAID
PERMIT NO. 1368
Cincinnati, OH

ADDRESS SERVICE REQUESTED



This Newsletter Is paid for by these sponsors
please patronize them and say thank you!

Behind Scenes Productions
Marketing • Advertising
Event Services

Dave Olmstead
513-617-0906 V dave@behindscenesproductions.com
513-947-1479 F PO Box 501, Amelia, OH 45102

JAS
Collision, LLC
1680 Old State Road
Willamsburg, Ohio 45176
jascollision@fuse.net

513-724-3485 Fax: 513-724-3486

Disney Tree Services
For All Your Tree Service Needs
W. Disney Owner/Operator
513 • 502 • 5429
disneytreeservices@yahoo.com
Serving The Greater Cincinnati Area • Fully Insured

This Newsletter Is paid for by these sponsors
please patronize them and say thank you!

Office 513/753-6333
Fax 513/752-7803



Gary Morgan, President
www.morscoinc.com

Your business could reach
our valuable audience as
well. Call Dave @
617-0906 to learn how!